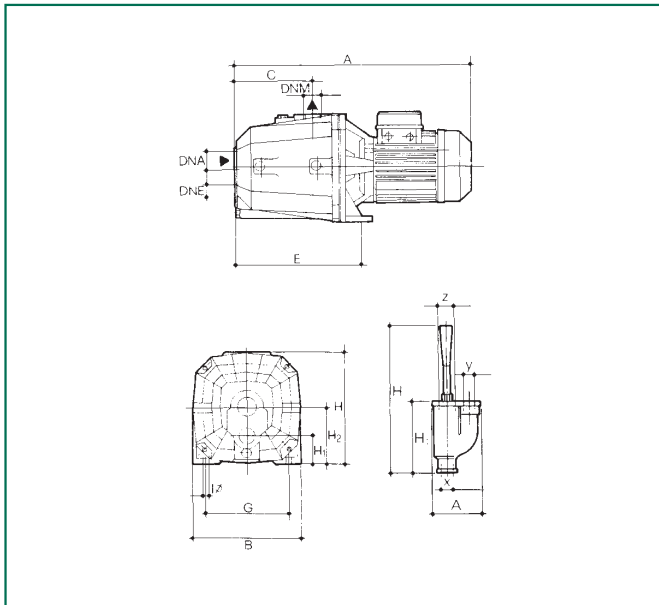
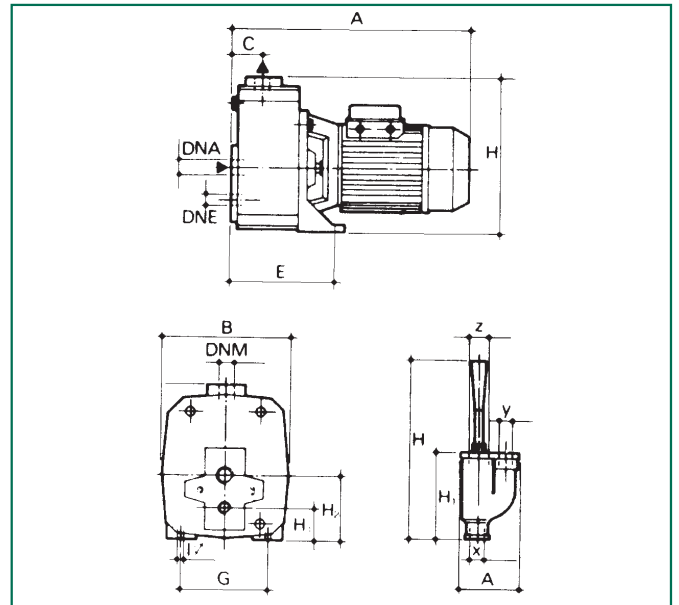


DIMENSIONS AND WEIGHTS

DP 81-100

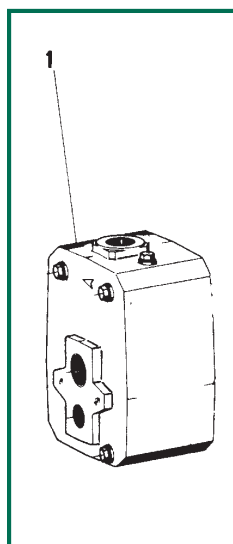
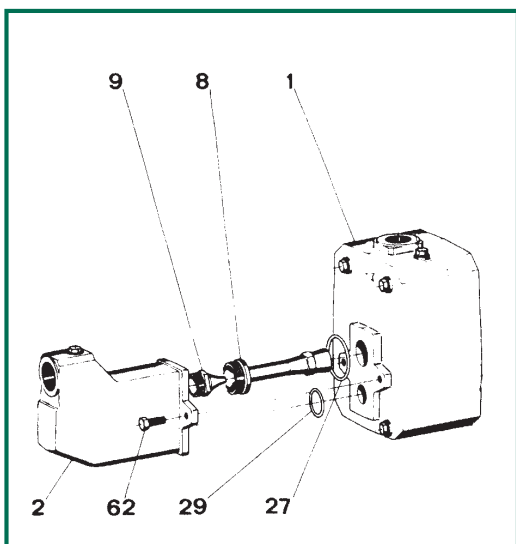


DP 151-251 Convertible



| MODEL | A | B | C | E | G | I Ø | H | H1 | H2 | DNA | DNM | DNE | EJECTOR | | | | | | WEIGHT Kg |
|----------|-----|-----|----|-----|-----|-----|-----|----|-----|----------|------|------|---------|-----|-----|------|------|----------|-----------|
| | | | | | | | | | | | | | A | H | H1 | x | y | z | |
| DP 81 | 385 | 180 | 90 | 202 | 140 | 9,5 | 225 | 47 | 92 | 1 1/4" G | 1" G | 1" G | 97 | 295 | 143 | 1" G | 1" G | 1 1/4" G | 13 |
| DP 100 | 385 | 180 | 90 | 202 | 140 | 9,5 | 225 | 47 | 92 | 1 1/4" G | 1" G | 1" G | 97 | 295 | 143 | 1" G | 1" G | 1 1/4" G | 15,7 |
| DP 151 | 388 | 210 | 50 | 197 | 145 | 11 | 155 | 52 | 108 | 1 1/4" G | 1" G | 1" G | 97 | 295 | 143 | 1" G | 1" G | 1 1/4" G | 28 |
| DP 251 M | 462 | 210 | 50 | 197 | 145 | 11 | 155 | 53 | 108 | 1 1/4" G | 1" G | 1" G | 97 | 295 | 143 | 1" G | 1" G | 1 1/4" G | 32,5 |
| DP 251 T | 388 | 210 | 50 | 197 | 145 | 11 | 155 | 53 | 108 | 1 1/4" G | 1" G | 1" G | 97 | 295 | 143 | 1" G | 1" G | 1 1/4" G | 27,9 |

INSTRUCTION FOR CONVERSION



Conversion from DP 151-251 to JET 151-251
Screw the nozzle (9) into place on the ejector's body (2) and the Venturi tube (8). Put the O-rings (27) and (29) in their respective places and fix the ejector body (2) to the pump body (1) using the two screws (62).

Conversion from JET 151-251 to DP 151-251
Loosen and remove the two screws (62) connecting the ejector body (2) to the pump body (1). Save the O-rings (27) and (29), the Venturi tube (8) and the nozzle (9).